

## GS PRO 30S4 1150X525

Heavy loads hand pallet truck (3.000 kg)



### LIFTER GS PRO 30

Extremely tough and resistant hand pallet truck for heavy duty applications, with lifting capacity up to 3.000 kg.



### REINFORCED STRUCTURE

Steel bars welded under the forks, solid tie-rod as well as a base with thick metal sheet allow the GS 30 to easily handle the heaviest loads.



### HYDRAULIC UNIT

Resistant and reliable one piece cast iron pump, worked with numerical control machine, including:

- **MAXIMUM PRESSURE VALVE:** safety device that ensures the transpallet against overloads. When the pressure inside the hydraulic circuit exceeds the set calibration value according to the maximum nominal flow, the valve automatically locks the forks.
- **PROPORTIONAL LOWERING VALVE:** lowering speed can be proportionally controlled according to the lever position on the tiller. Perfect working tool to carry fragile and delicate loads like crystal, glass and ceramics.



### VARNISHING

Following an appropriate conditioning operation the frame is varnished with polyester powder at a temperature of 250° to guarantee maximum resistance to wear and atmospheric agents.



## STANDARD CONFIGURATION

- Nylon - Poly 55 steering wheels
- Nylon rollers
- 4 Curves handle with all the controls (lowering / drive position / lifting) available in a single lever for simple and safe control



- Entry/exit rollers. Supplementary rollers to allow easier entrance and quicker exit from a closed pallet, reducing the impact on the main rollers and guaranteeing a longer life.



## OPTIONAL CONFIGURATION

- Nylon steering wheels
- Aluminium - Poly steering wheels
- Aluminium - Rubber steering wheels



- Polyurethane rollers



- 4 Curves ergonomic handle. The soft rubber covering aids operator comfort and helps to reduce vibration, enabling a more comfortable and secure grip.



- Manual control brake. The brake of the pallet truck, available with rubber steering wheels, is adjustable through the tiller lever to ensure safe use on slopes and ramps. The locking function makes it possible to park the pallet truck even on slopes without rolling away.



- Quick lift. The perfect tool to lift quicker your loads up to 150 kg. The hydraulic pump is specifically engineered to cut job time and increase efficiency. It takes just 6 strokes to raise a pallet to full height, instead of 13 with the traditional HPT.



## Descriere

|   |   |    |          |
|---|---|----|----------|
| 1.1 Producător                                  |   |    | LIFTER   |
| 1.3 Comandă                                     |   |    | Manual   |
| 1.4 Poziție operare                             |   |    | Pedestru |
| 1.5 Capacitate maximă                           | Q | Kg | 3000     |
| 1.6 Distanța la centrul de aplicare al sarcinii | c | mm | 600      |
| 1.8 Sarcina de la osie la capătul furcilor      | x | mm | 932      |
| 1.9 Ampatament                                  | y | mm | 1192     |

## Greutăți

|                                      |  |    |      |
|--------------------------------------|--|----|------|
| 2.1 Greutate de operare              |  | Kg | 88   |
| 2.2 Sarcină osie, încărcare pe spate |  | Kg | 2196 |
| 2.2 Sarcină osie, încărcare pe față  |  | Kg | 892  |
| 2.3 Sarcină osie, liber spate        |  | Kg | 29   |
| 2.3 Sarcină osie, liber față         |  | Kg | 59   |

## Cauciucuri/Șasiuri

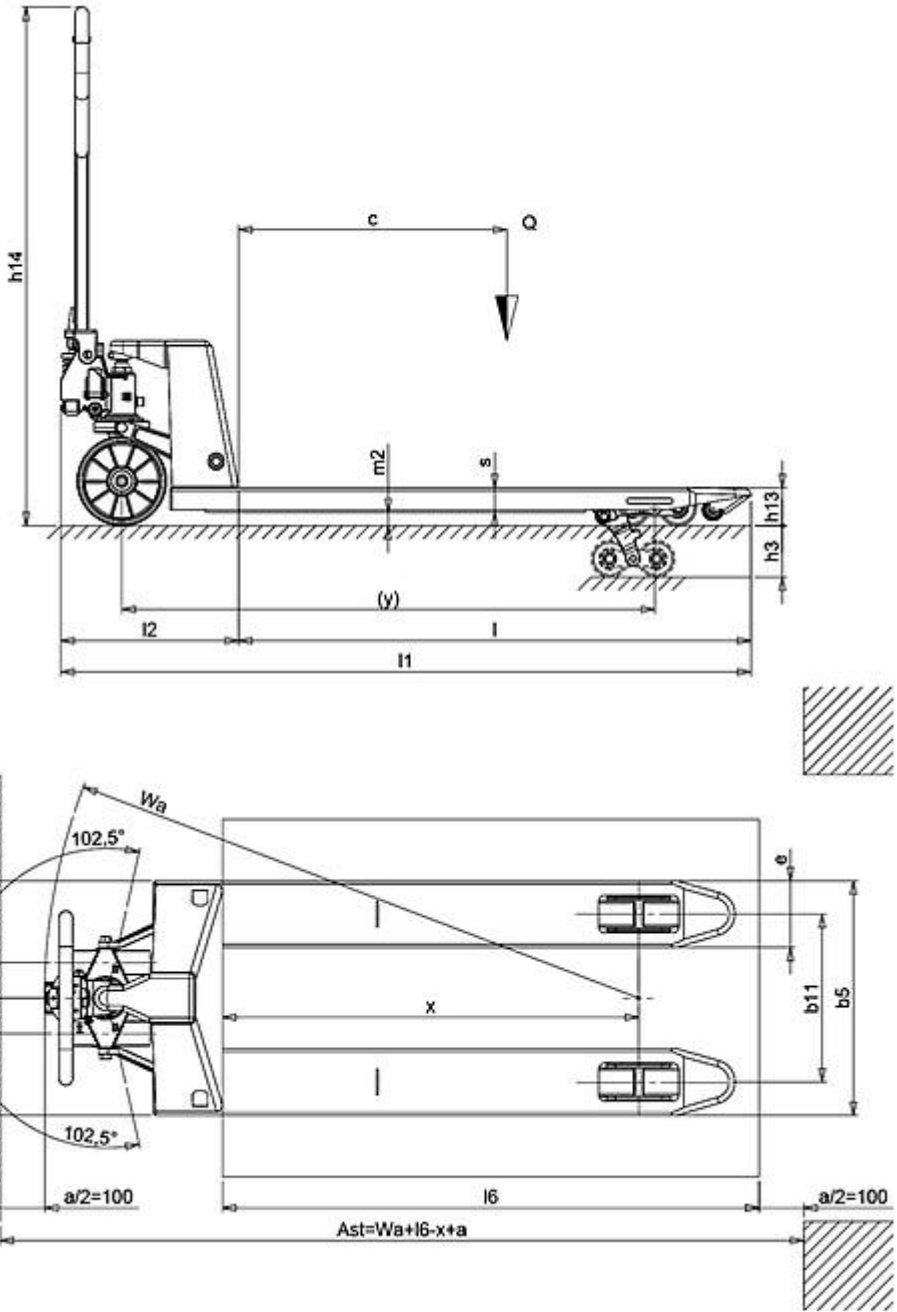
|  |     |    |                   |
|--|-----|----|-------------------|
| 3.1 Cauciucuri: roți direcție                        |     |    | POLY.I./<br>NYLON |
| 3.1 Cauciucuri: transportoare cu role                |     |    | NYLON             |
| 3.2 Mărime cauciuc: roți direcție - Diametru         |     | mm | 200               |
| 3.2 Mărime cauciuc: roți direcție - Lățime           |     | mm | 55                |
| 3.3 Mărime cauciuc: transportoare cu role - Diametru |     | mm | 82                |
| 3.3 Mărime cauciuc: transportoare cu role - Lățime   |     | mm | 60                |
| 3.5 Dimensiune cauciuc: roți spate                   |     | nr | 4                 |
| 3.5 Ax de echilibru spate                            |     |    | No                |
| 3.6 Ecartament, față                                 | b10 | mm | 155               |
| 3.7 Ecartament, spate                                | b11 | mm | 375               |

## Dimensiuni

|   |     |    |      |
|---|-----|----|------|
| 4.4 Înălțime stivuitor                              | h3  | mm | 115  |
| 4.9 Înălțime manetă în poziția de deplasare, max    | h14 | mm | 1160 |
| 4.15 Înălțime, coborât                              | h13 | mm | 85   |
| 4.19 Lungime globală                                | l1  | mm | 1550 |
| 4.20 Distanța până la suprafața frontală a furcilor | l2  | mm | 400  |
| 4.21 Lățime globală                                 | b1  | mm | 525  |
| 4.22 Dimensiuni furcă - grosime                     | s   | mm | 50   |
| 4.22 Dimensiuni furcă - Lățime                      | e   | mm | 150  |
| 4.22 Dimensiuni furcă - Lungime                     | l   | mm | 1150 |
| 4.25 Distanța între furci                           | b5  | mm | 525  |
| 4.32 Gardă la sol și mijloc ampatament              | m2  | mm | 35   |
| 4.34 Lățime culoar                                  | Ast | mm | 1835 |
| 4.35 Rază de virare                                 | Wa  | mm | 1367 |

## Performante

|                                   |         |    |
|-----------------------------------|---------|----|
| 5.2 Viteză de ridicare, încărcat  | strokes | 13 |
| 5.2 Viteză de ridicare, descărcat | strokes | 13 |



The information is aligned with the Data file at the time of download. Printed on 23/02/2020 (ID 576)

©2019 | PR INDUSTRIAL s.r.l. | All rights reserved | Image shown may not reflect actual package. Specifications subject to change without notice

